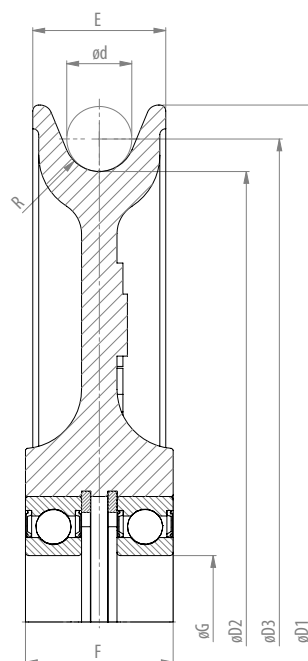


## CAST SHEAVES, RIGGING

## WITH BALL BEARINGS



Model Nr.	Dimensions (mm)								Bearing	Weight (kg)
	Sheave tread ø	Shaft ø	Wire ød	Groove radius	Outside ø	PCD	Rim width	Bearing width		
	øD2	øG	d	R	øD1	øD3	E	F		
SEF.80.6002.4,5	80	15	8	4,5	100	88	18	20	2x6002-RS	0,7
SEF.105.60-22.5,5	105	22	10	5,5	125	115	23	27,5	2x6022-RS	1,5
SEF.120.6206.6,5	120	30	12	6,5	150	132	36	40	2x6206-RS	3
SEF.165.6206.7,5	165	30	14	7,5	200	179	36	40	2x6206-RS	4,5
SEF.210.6207.9,5	210	35	18	9,5	250	228	40	45	2x6207-RS	8
SEF.255.6208.11	255	40	20	11	300	275	45	50	2x6208-RS	12
SEF.305.6209.12	305	45	22	12	350	327	45	50	2x6209-RS	17
SEF.345.6210.13	345	50	24	13	400	369	55	60	2x6210-RS	24

- Different shaft sizes possible.
- Groove may be adjusted to other wire rope diameters.



SEE OUR WARNING & SAFETY INFORMATION